



Installation instructions, accessories

Volvo Car Corporation Gothenburg, Sweden

Instruction No	Version	Part. No.
31373812	1.1	31373807, 31373808, 31428585, 31428586, 31428805, 31428806

Parking assistance, camera, rear

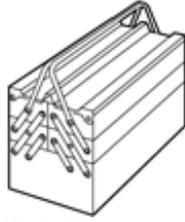


Installation instructions, accessories

Volvo Car Corporation Gothenburg, Sweden

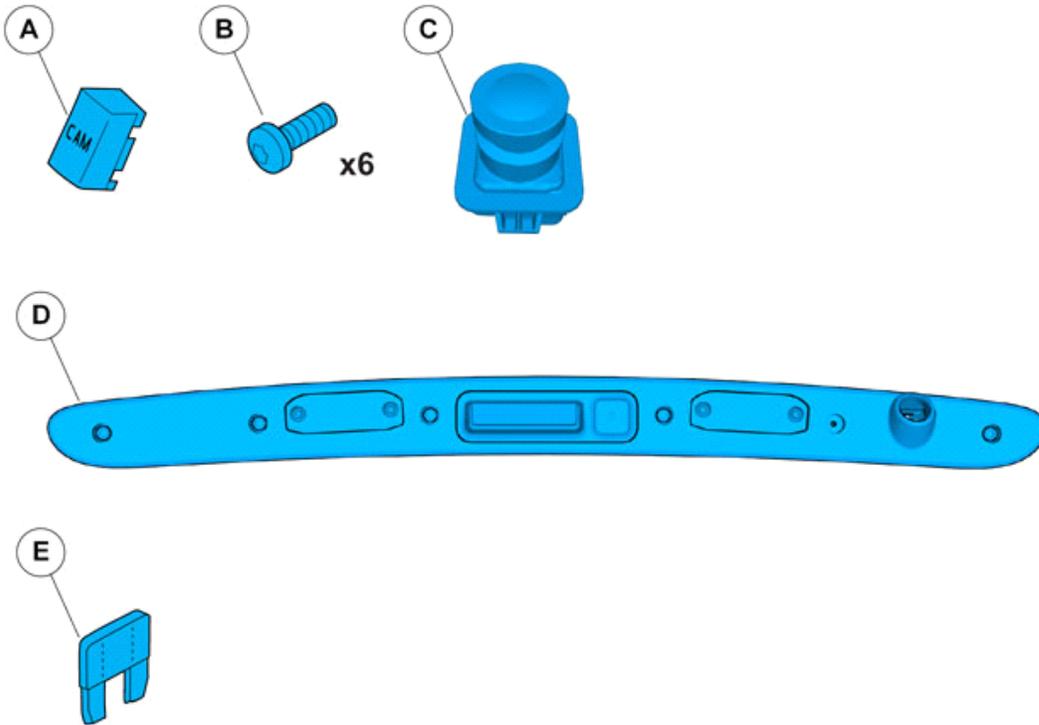
Equipment

VIDA



IMG-242205

IMG-345497



IMG-381023



Installation instructions, accessories

Volvo Car Corporation Gothenburg, Sweden

36648-2

Parking assistance, camera, rear

Information

1

Read through all of the instructions before starting installation.

Notifications and warning texts are for your safety and to minimise the risk of something breaking during installation.

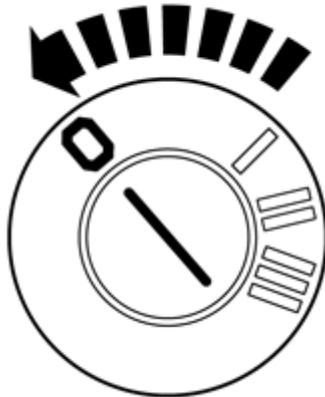
Ensure that all tools stated in the instructions are available before starting installation.

Certain steps in the instructions are only presented in the form of images. Explanatory text is also given for more complicated steps.

In the event of any problems with the instructions or the accessory, contact your local Volvo dealer.

Removal

2



IMG-332193



Installation instructions, accessories

Volvo Car Corporation Gothenburg, Sweden

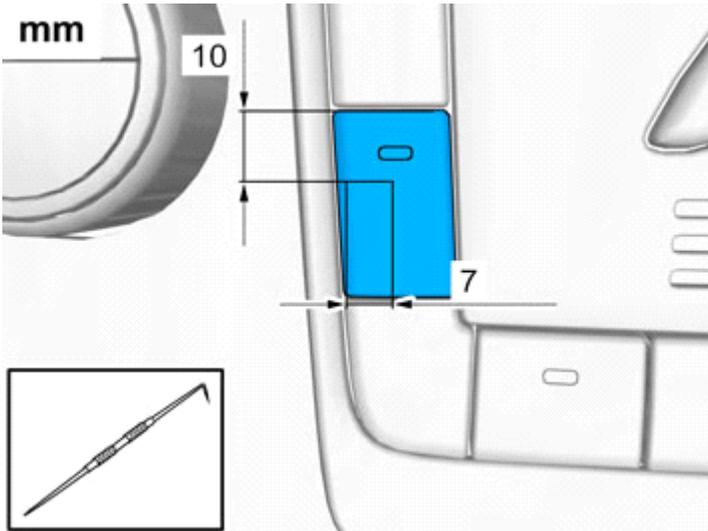
3



IMG-381021

Note!
Orientation view

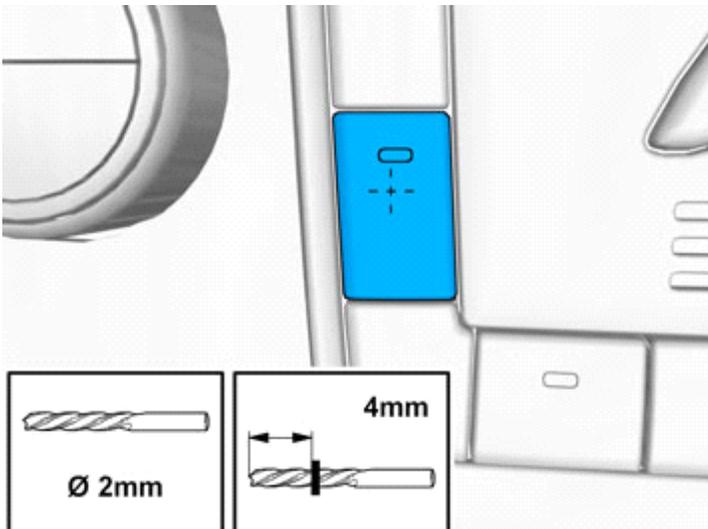
4



IMG-381005

Measure and mark as illustrated.

5



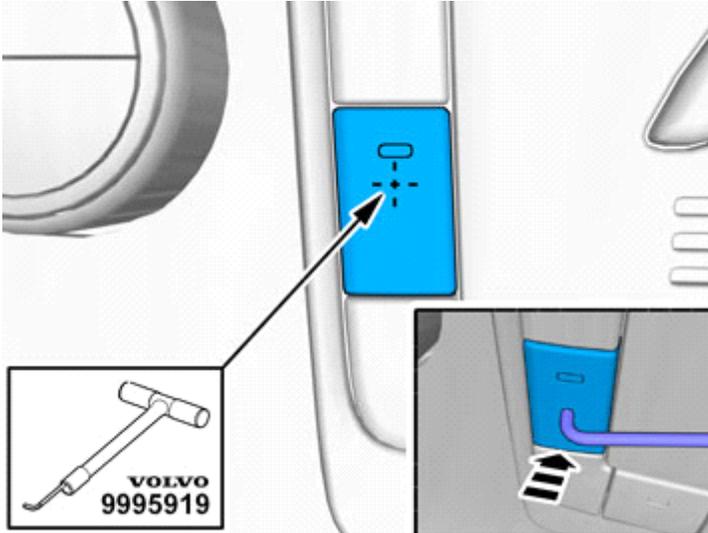
IMG-381006



Installation instructions, accessories

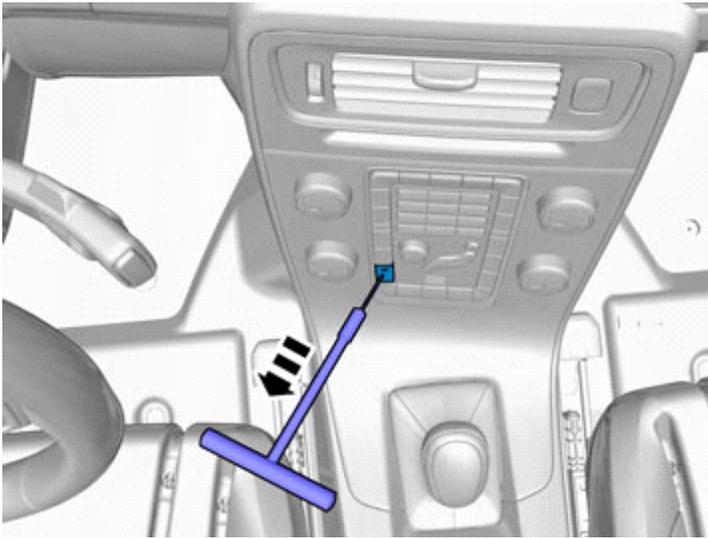
Volvo Car Corporation Gothenburg, Sweden

6



IMG-381020

7



IMG-380996

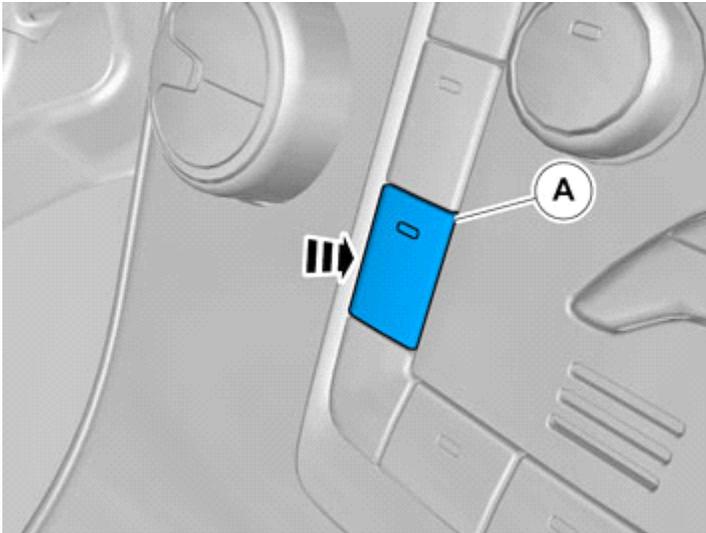
Accessory installation



Installation instructions, accessories

Volvo Car Corporation Gothenburg, Sweden

8

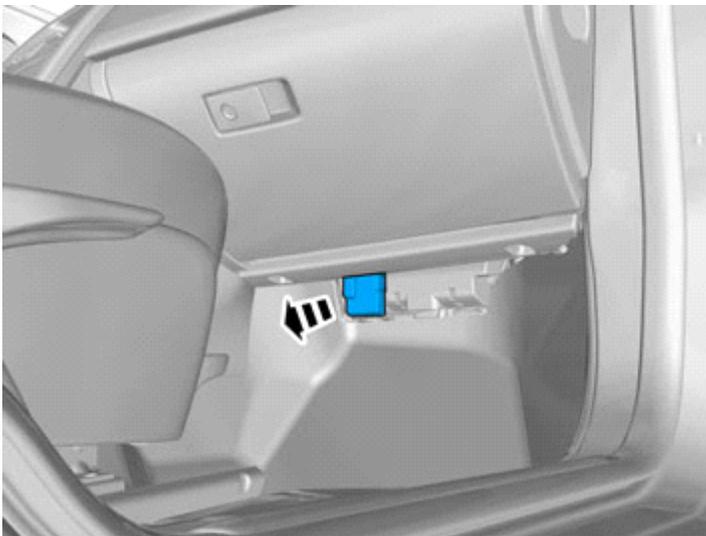


IMG-381003

Install component that comes with the accessory kit.

Removal

9



IMG-381919

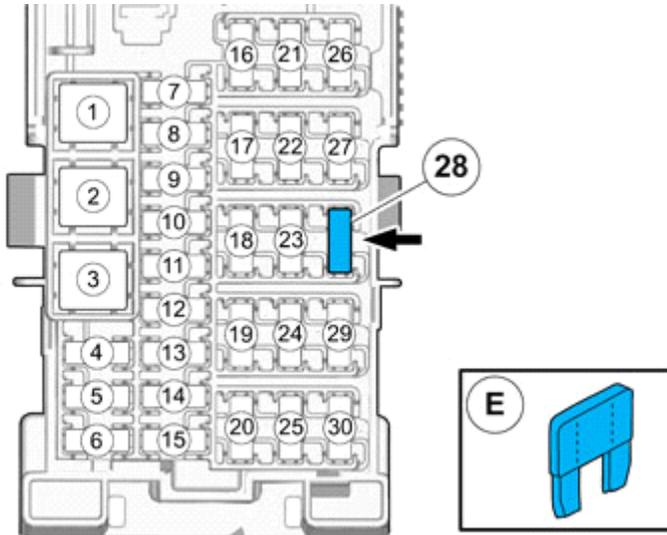
Accessory installation



Installation instructions, accessories

Volvo Car Corporation Gothenburg, Sweden

10



IMG-381920

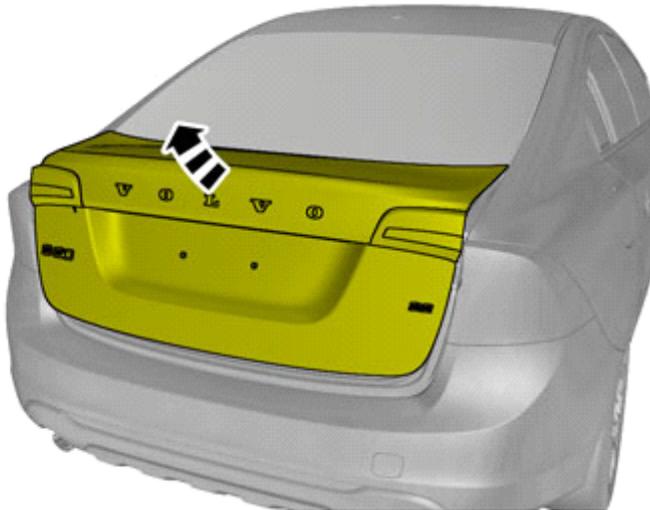
Install component that comes with the accessory kit.

11

Reinstall the removed parts in reverse order.

Removal

12



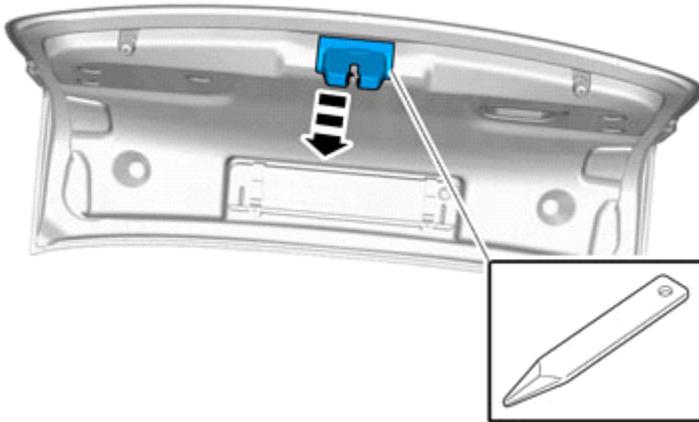
IMG-340010



Installation instructions, accessories

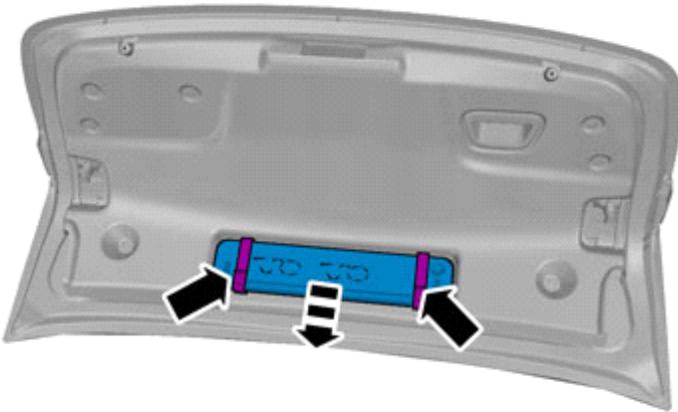
Volvo Car Corporation Gothenburg, Sweden

13



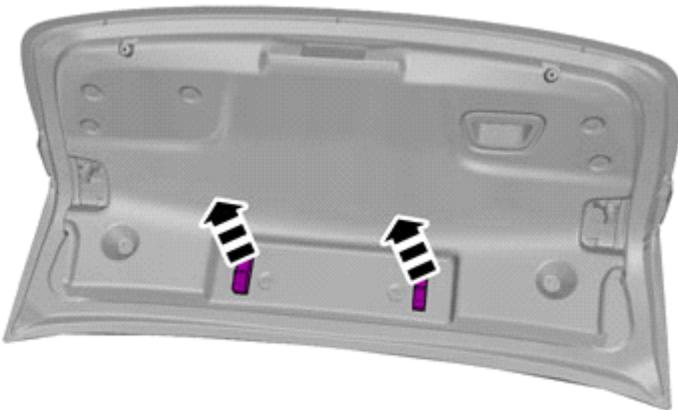
IMG-340012

14



IMG-340016

15



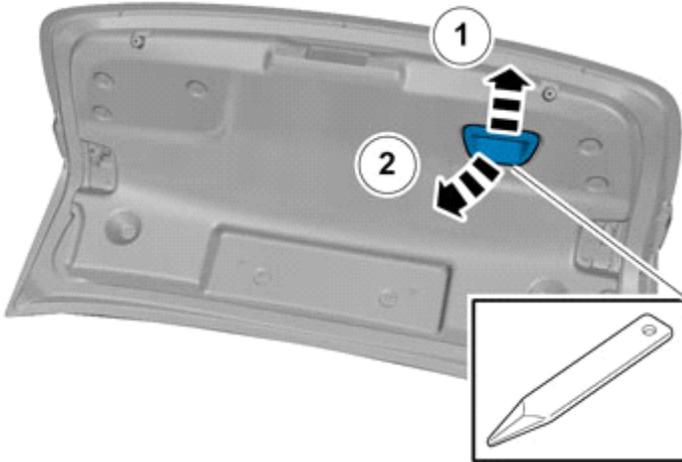
IMG-340017



Installation instructions, accessories

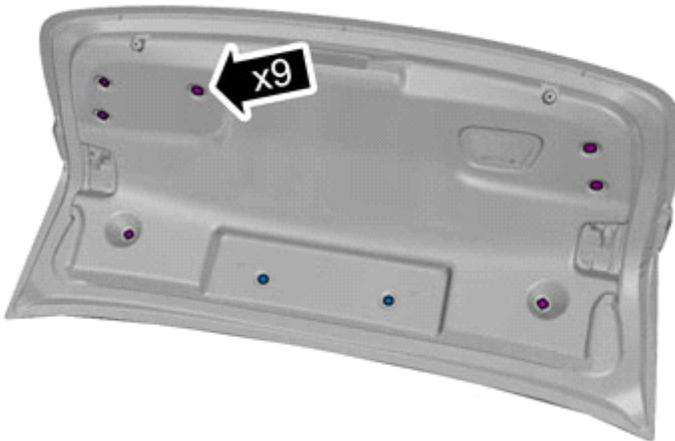
Volvo Car Corporation Gothenburg, Sweden

16



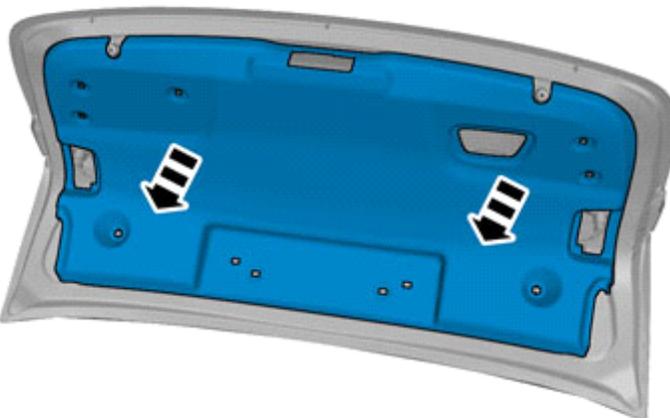
IMG-340018

17



IMG-339904

18



IMG-340019



Installation instructions, accessories

Volvo Car Corporation Gothenburg, Sweden

19

Disconnect the connector.

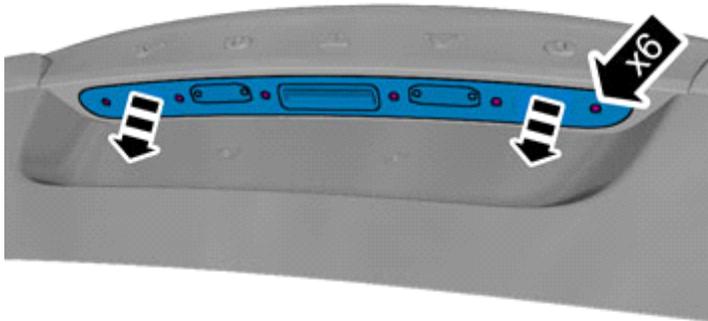


IMG-340020

20

Remove the screws.

The part is not to be reused.



IMG-340021

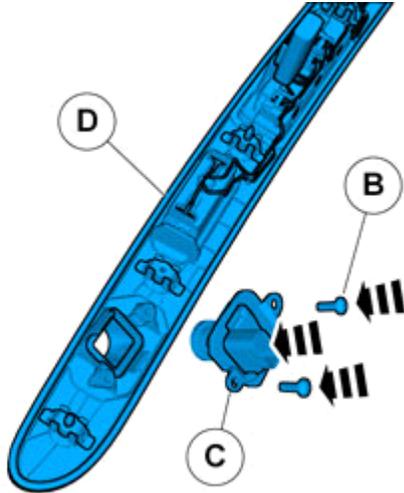
Accessory installation



Installation instructions, accessories

Volvo Car Corporation Gothenburg, Sweden

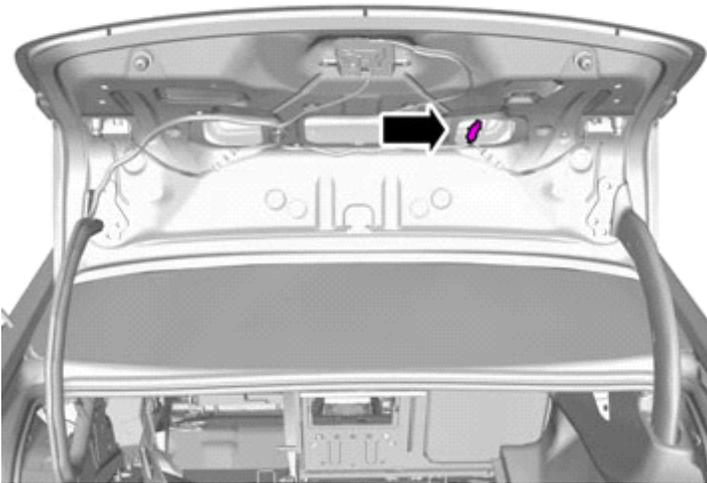
21



IMG-381025

22

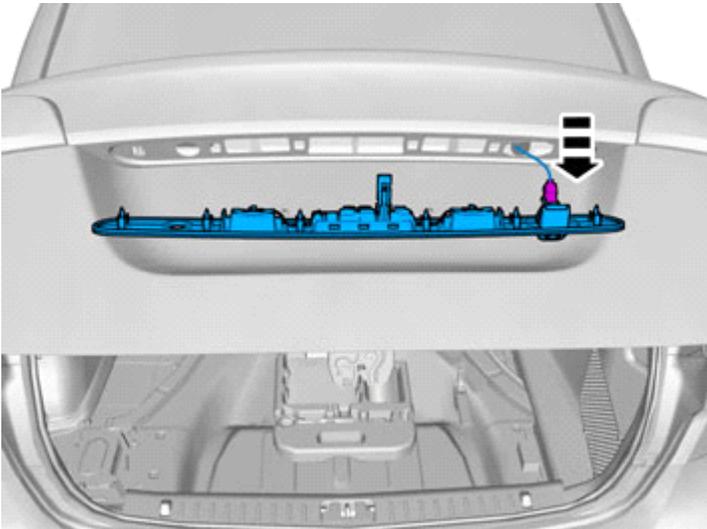
Locate the pre-routed connector.



IMG-380994

23

Connect the connector.



IMG-340041



Installation instructions, accessories

Volvo Car Corporation Gothenburg, Sweden

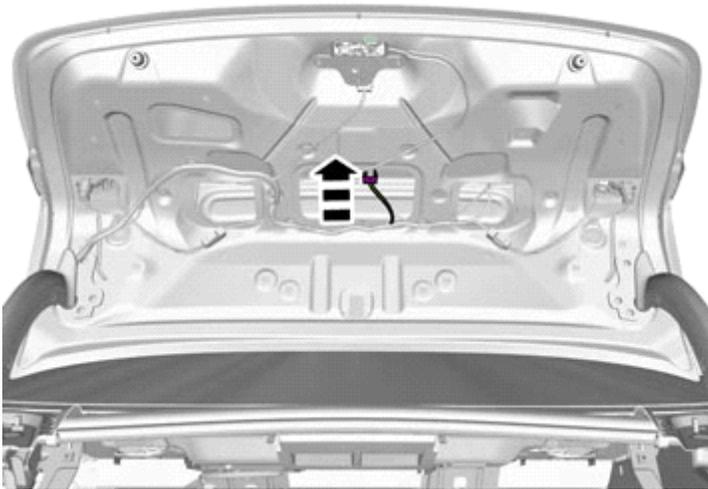
24



IMG-340057

25

Connect the connector.



IMG-339900

26

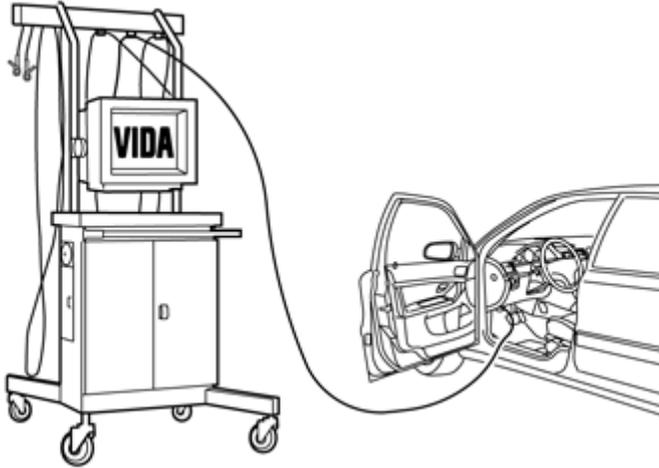
Reinstall the removed parts in reverse order.



Installation instructions, accessories

Volvo Car Corporation Gothenburg, Sweden

27



IMG-242268

Download software (application) for the accessory's function according to the service information in VIDA. See VIDA or the accessories catalogue for software part number.

28

Calibrate according to: DIAGNOSTICS/VEHICLE COMMUNICATION/Advanced/PAC

VIDA

IMG-275777